

HCB1-125 规格书 Specifications

电气参数 Ratings:

- ◇ 额定电流
Rated Current: 80/100/125A
- ◇ 额定绝缘电压
Rated Insulation Voltage: 230V(1P), 400V(2P/3P/4P)
- ◇ 脱扣形式
Tripping Type: 热磁 Thermal Magnetic
- ◇ 额定极限短路开断能力
Rated Ultimate Short-Circuit Breaking Capacity: 10kA
- ◇ 额定工作短路开断能力
Rated Service Short-Circuit Breaking Capacity: 7.5kA



认证/标准 Approvals/Standards:

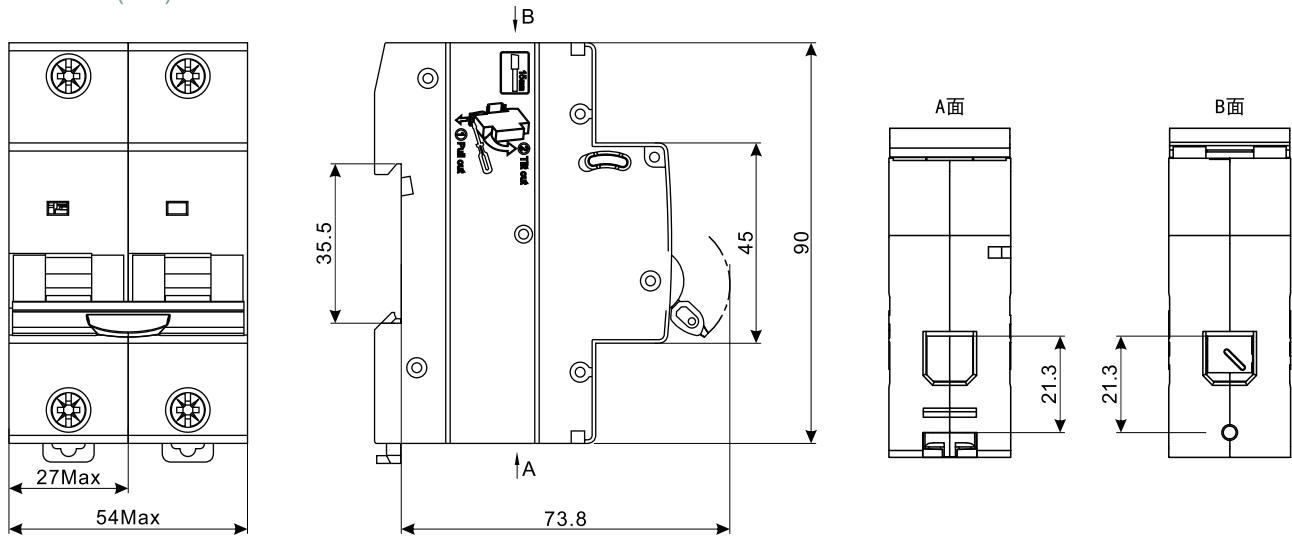
- ◇ SEMKO
- ◇ RoHS
- ◇ REACH
- ◇ CE/CCC
- ◇ IEC60947-2/GB14048-2

产品特征 Features&Benefits:

- 过载和短路保护功能
Overload and the short circuit protection function
- 适用于无极性
Non-polarity

产品型号说明 Product Model:	
HC	B1 □ - 125 C 125 / 2
公司代码 Company Code	
规格: B1系列微型断路器 Model: B1 Series MCB	
无 Nil: 基本型 Basic Model	
壳架电流 Frame Current	
脱扣曲线 Tripping Curve	B: Type B C: Type C D: Type D
额定电流 Rated Current	80: 80A 100: 100A 125: 125A
极数 Pole	1: 1Pole 2: 2Poles 3: 3Poles 4: 4Poles

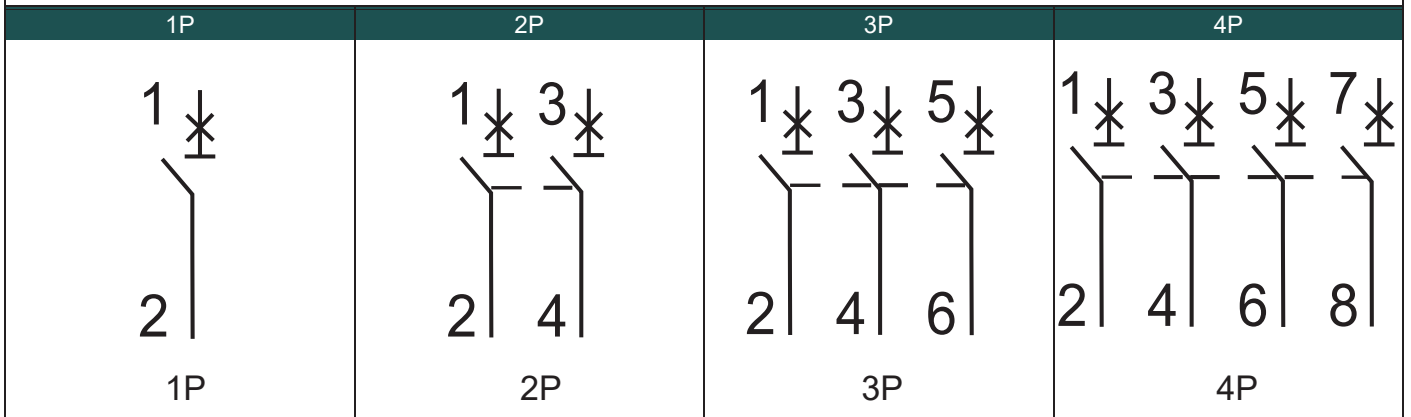
1 Pole ~ 4 Pole (mm)



特性参数 CHARACTERISTIC PARAMETERS

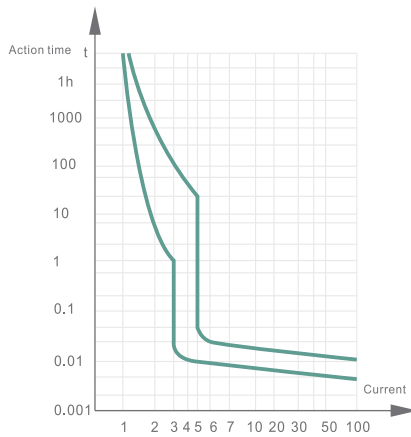
极数 Pole	1P	2P	3P	4P
额定工作电压 Rated Operational Voltage	230VAC	400 VAC		
壳架电流 Frame Current	125A			
额定电流 Rated Current	80/100/125A			
额定绝缘电压 Rated Insulation Voltage	500V			
额定冲击耐受电压 Rated Impulse Withstand Voltage	6kV			
脱扣特性 Tripping Characteristics	B/C/D			
脱扣形式 Tripping Type	热磁 Thermal Magnetic			
额定极限短路开断能力 Rated Ultimate Short-Circuit Breaking Capacity	10kA			
额定工作短路开断能力 Rated Service Short-Circuit Breaking Capacity	7.5kA			
机械寿命和电寿命 Mechanical Life and Electrical Life	20000 循环 Cycles			
过压范围 Overvoltage Category	III			
污染等级 Pollution Degree	3			
防护等级 Protection Degree	IP20			
接线能力 Terminal Capacity	50mm ²			
端子紧固扭矩 Fastening Torque of Terminal	4N·m			
环境温度 Ambient Temperature	-5°C~+40°C			
储存温度 Storage Temperature	-25°C~+70°C			
安装方法 Installation Method	DIN35mm			
海拔高度 Altitude	≤ 2000m			

电路图 Diagram



脱扣曲线 Tripping Curve

B Curve $4I_n(1\pm 20\%)$



B curve

适用于纯电阻负载和微电感电路

Suitable for pure resistive load and micro-inductive circuit

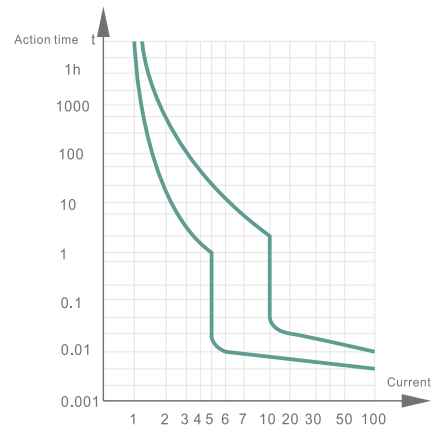
额定电流 80A ~ 125A

Available to rated current of 80A ~ 125A

瞬时脱扣范围

Instantaneous tripping range: $4I_n \pm 20\%$

C Curve $8I_n(1\pm 20\%)$



C curve

适用于一般负载和配电回路

Suitable for general load and power distribution circuit

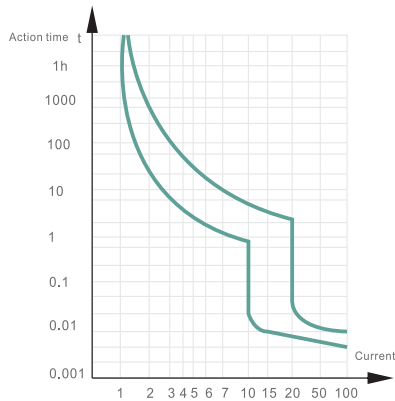
额定电流 80A ~ 125A

Available to rated current of 80A ~ 125A

瞬时脱扣范围

Instantaneous tripping range: $8I_n \pm 20\%$

D Curve $12I_n(1\pm 20\%)$



D curve

适用于纯电阻负载和微电感电路

Suitable for pure resistive load and micro-inductive circuit

额定电流 80A ~ 125A

Available to rated current of 80A ~ 125A

瞬时脱扣范围

Instantaneous tripping range: $12I_n \pm 20\%$